

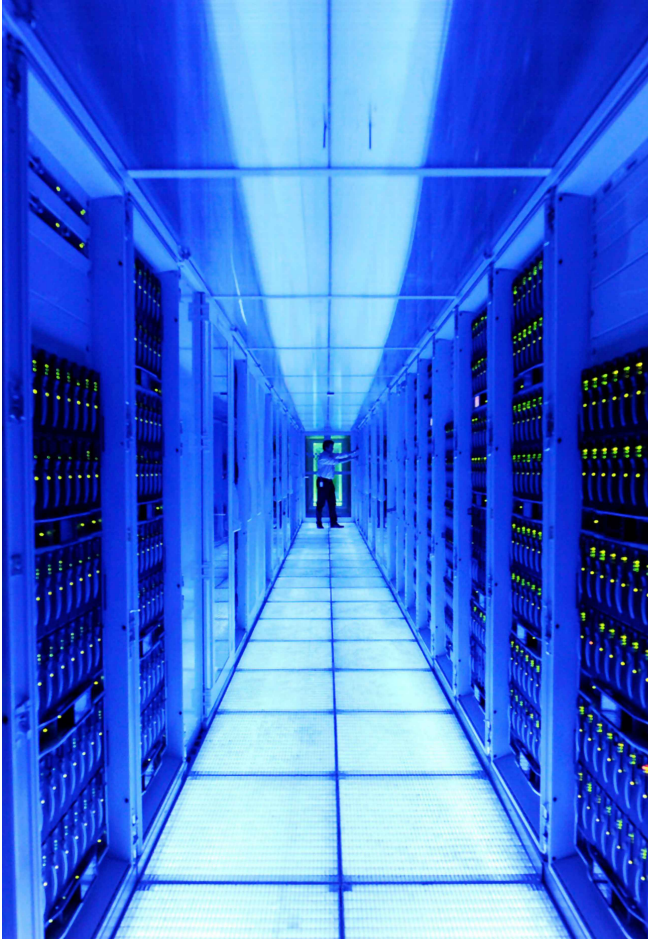


ELENTRA SERIES

LINE INTERACTIVE PURE SINE WAVE UPS
1KVA ~ 8KVA (1/1)

**Mission Critical &
I.T & Domestic UPS**
(Extended & Short Autonomy Version).

LINE INTERACTIVE SINE WAVE UPS



ELENTRA Series (1KVA~8KVA)

Single Solution for All Domestic and IT Applications
(Standard & Extended autonomy with sinewave)

ELENTRA Series is a unique one with respect to its features and standards. A Line-Interactive UPS with Sine Wave output and able to run on extended autonomy makes this series distinct from others. ELENTRA Series has the ability to work with all kind of loads from domestic appliances to branded Servers without interruption.

Sinewave Output

ELENTRA Series is a line interactive UPS which provides pure sinewave at the output. Due to its sinewave output high critical server and other sophisticated equipments can be connected without any fear.

Technology

ELENTRA Series uses line interactive technology to provide a basic level of protection. This topology includes a transformer in series between the utility power source and the load, enabling the UPS to “interact” with the mains.

Extended Runtime Capability

ELENTRA Series comes with standard (internal battery) and to protect critical devices through extended blackouts, the ELENTRA Series utilizes external battery pack that can be daisy-chained in unlimited quantities to provide a virtual unlimited amount of battery run time.

Fast Battery Recharge

ELENTRA Series has the ability to enhance battery charging amperes from 5A~20A through software the maximum recharge time for depleted is 8 hours, no matter how many battery packs are installed on a UPS.

LCD

ELENTRA Series has LCD in its front panel for easily viewing of different feature directly from the UPS LCD. This LCD displays input /output voltages, input/output frequency, battery capacity, faults and many others feature can be view.

Standards

Security : CH0054132-2000,
Conductive Disturbance: GB9254 1998/EN55022 CLASS B
Video Frequency Disturbance: GB9254 1998/EN55022 CLASS A

Application

Domestic Applications, Work Stations, Servers, Motorized Load, Hubs, Routers, Network stations, Gateways, PABX

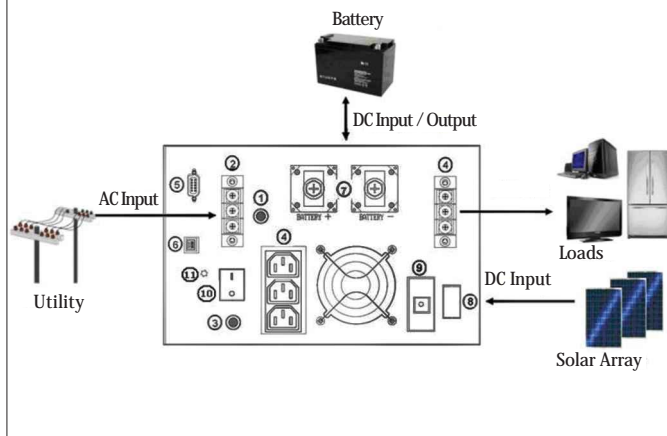


LINE INTERACTIVE SINE WAVE UPS



ELENTRA Series GREEN Technology

Connection concept:



Green Mode with outstanding performance & reliability.

Elentra Series are equipped with GREEN MODE factor. The UPS can be used with PV (Solar) by converting it into GREEN MODE function. The GREEN MODE UPS is also equipped with charge controller & convert into almost 0Amp. no load current for better efficiency. The details of elentra in green mode function and solar charge controller are as follows.

Capacity	Green Mode	Without Green Mode
1000VA	<1mA	2.5A/12VDC
1500VA	<1mA	2.9A/12VDC
2000VA	<0.5mA	1.9A/24VDC
3000VA	<0.5mA	2.6A/48VDC
5000VA	<0.5mA	2.3A/48VDC
6000VA	<0.5mA	2.3A/48VDC
8000VA	<0.5mA	2.3A/48VDC

Solar Charger Optional

Rating voltage	12V / 24V / 36V / 48V
DC Input Range	12V model : 12 ~ 21Vdc
	24V model : 24 ~ 42Vdc
	36V model : 36 ~ 63Vdc
	48V model : 48 ~ 84Vdc
Charging Method	Constant voltage with current limiting by PWM control
Charging Voltage	12V model : 13.5Vdc
	24V model : 27.4Vdc
	36V model : 40.5Vdc
	48V model : 54.0Vdc
Power Rating	12V model : 500W (13.5Vdc @ 37A)
	24V model : 1000W (27.0Vdc @ 37A)
	36V model : 1000W (40.5Vdc @ 25A)
	48V model : 1000W (54.0Vdc @ 18.5A)
Protection	DC input polarity protection, DC input short circuit protection (when battery is connected), DC output over current protection

LINE INTERACTIVE SINE WAVE UPS

TECHNICAL SPECIFICATION FOR ELENTRA SERIES

MODEL	EN01	EN1.5	EN02	EN03	EN04	EN05	EN06	EN08	
Rating VA	1000	1500	2000	3000	4000	5000	6000	8000	
INPUT									
Nominal Voltage	200V/220V/230V/240V Selectable								
Input Frequency	47Hz ~ 65Hz, 50 / 60Hz auto-sensing								
Efficiency	97%								
Noise Filtering	Full time EMI/RFI filtering								
Voltage Range	140~280V								
AVR Range	Enhanced Buck: +28% of selected nominal voltage ,Buck mode: +10% of selected nominal voltage, Boost mode: -10% of selected nominal voltage ,Enhanced Boost: -25% of selected nominal voltage.								
Surge Protection	1000VA / 1500VA :220 Joules 1600VA ~ 4000VA:440 Joules								
OUTPUT									
Output Voltage	200V/220V/230V/240V Selectable								
Voltage Waveform	Pure Sine wave								
Power Factor	0.7 ~ 1 (As demand)								
Crest Factor	3:1								
Output Frequency	Auto Select for 50/60Hz, 47Hz ~ 55Hz for 50Hz nominal,56Hz ~ 65Hz for 60Hz nominal								
Regulation (Nominal)	±10% typical of nominal voltage								
Transfer time	1ms typical								
BATTERY									
VDC	[Extended Version]	12	12/24	12/24	24/48	24/48	48	48/96	48/96
	[Short backup]	1x18Ah	3x7Ah	2x18Ah	2x18Ah	4x12Ah	4x18Ah	4x18Ah	16x7Ah
Charging Amp.	10Amp. ~ 40Amp.								
Charging method	Smart pulse charging with two charging modes, Quick charging mode:14V maximum. Trickle charging mode:13.5V (adjustable with the remote set-up software)								
GENERAL									
Protection	Over current protection & Over charging voltage protection (SCR control). Thermal protection (CPU control) When temperature inside the unit is over 45C, charger will stop charging for 2 minutes followed by 2 minutes charging. The cycle will be repeated until the temperature is lower than 44C.								
Transformer	Transformer based								
Communication	RJ45 (Surge protection), DB9, SNMP (external type)								
ENVIRONMENT									
Operating Temperature.	Up to 1500 meters:0°C to 55°C (32°F to 131°F)								
Transit/storage Temp.	-15°C to 55°C (5°F to 131°F)								
Relative Humidity	5 - 95% non condensing								
Operating Altitude	0 ~ 3000 Meters								

DP Electronics (Deutsche Power Co. Limited) has a policy of continuous product development and improvement and therefore reserve the right to vary any information without prior notes.

DP ELECTRONICS (DEUTSCHE POWER CO., LIMITED)



Germany Head Office

DP electronics (Deutsche Power Co., Limited) Klon, Germany.
Phone: +49-221-26016266
Fax: +49-221-26016267
Email: enquiries@deutschepower.de

Hong Kong Office

RM 1701(057), 17/F, HeNan Building No90, Wan Chai, Hong Kong.
Phone: +86-137-237-44698
Fax: +86-755-82610233
helenlong@deutschepower.de